

Feature -

6A, 30VDC for power
SPST, lock / non-lock function

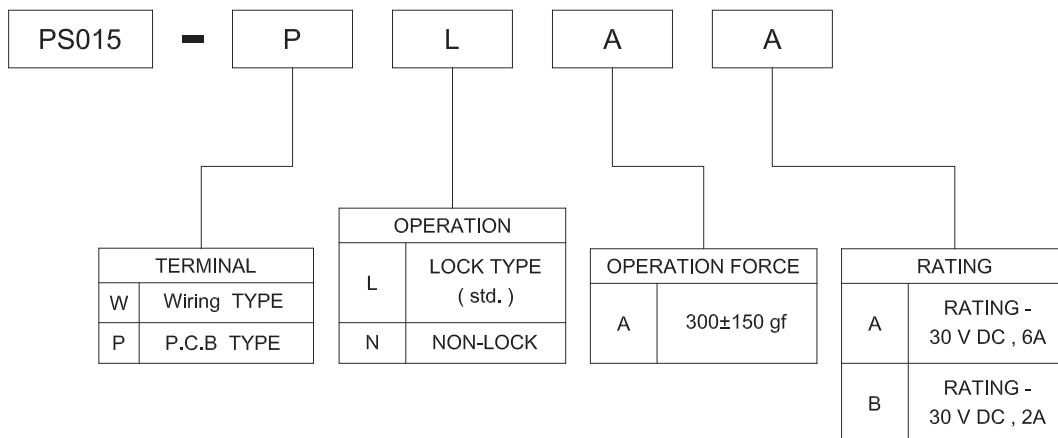
Application -

home electronic equipments
industrial electronic equipments
audio system
ADSL modem
wireless AP

► SPECIFICATIONS

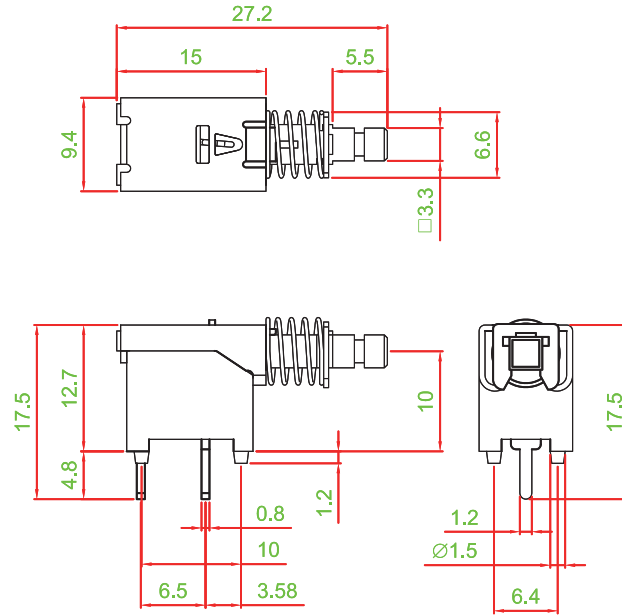
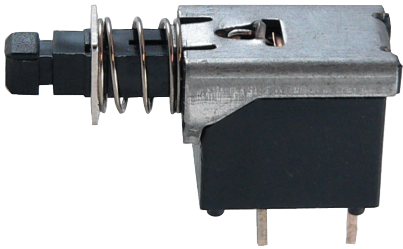
SWITCH SPECIFICATIONS	
POLE - POSITION	Lock type are Available
CONTACT RATING	30 V DC , 6 A ; 30 V DC , 2 A
CONTACT RESISTANCE	100 mΩ MAX. 1.5 V DC ; 100 mA , by method of voltage DROP
INSULATION RESISTANCE	100 MΩ MIN. 500 V DC
DIELECTRIC STRENGTH	Breakdown is not allowable ; 500 V AC for 1 minute
OPERATING FORCE	300 ± 150 gf
OPERATING LIFE	6,000 cycles
OPERATING TEMPERATURE RANGE	-20°C ~ 70°C
TOTAL TRAVEL	3.8 ± 0.3 mm

► HOW TO ORDER

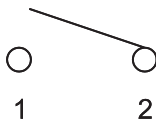


▶ DIMENSION

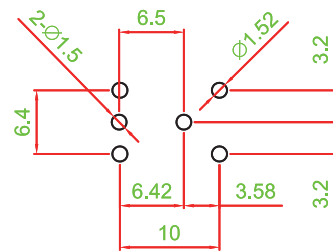
PS015-PLAA



▶ CIRCUIT



▶ P.C.B LAYOUT



▶ MATERIAL

- ACTUATOR : PA66
- FRAME : STEEL PLATE , TIN PLATING
- TERMINAL : BRONZE SILVER PLATING
- SPRING : STAINLESS STEEL